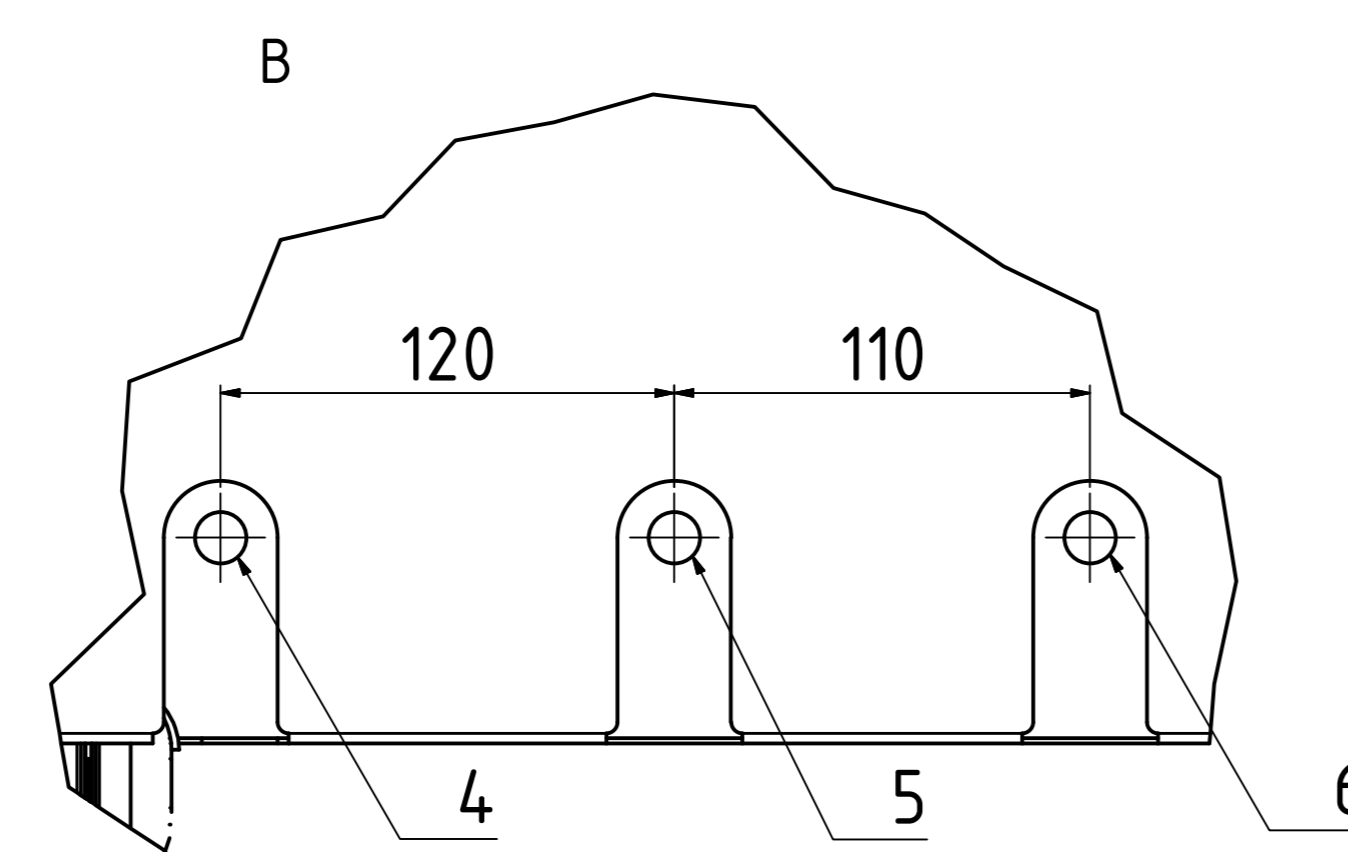
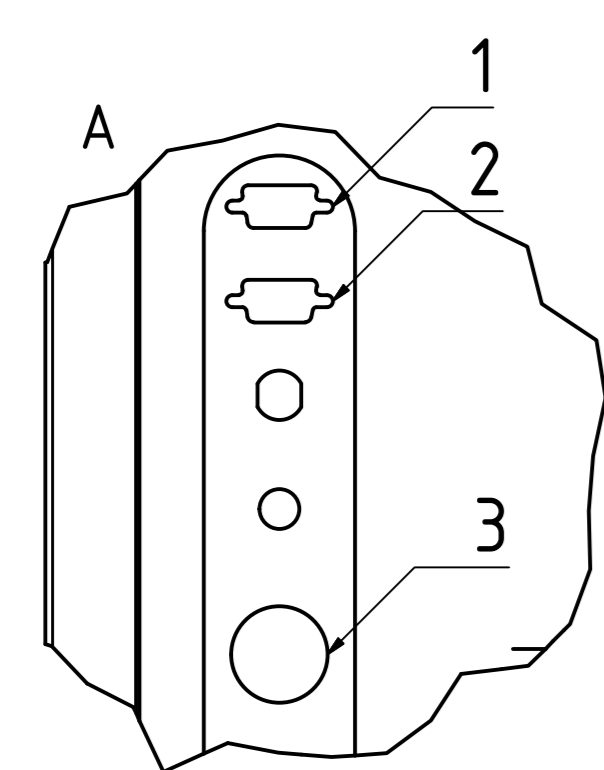
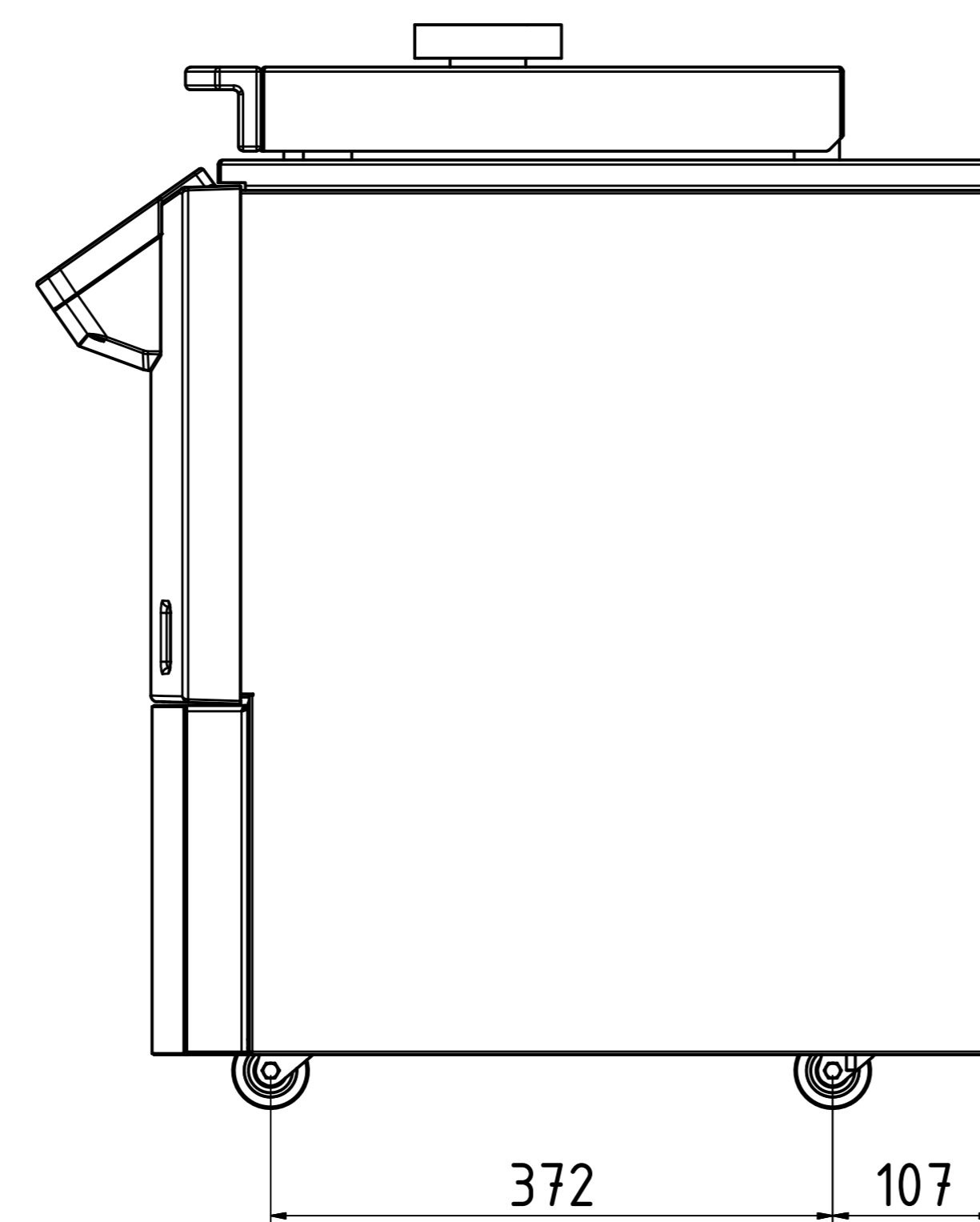
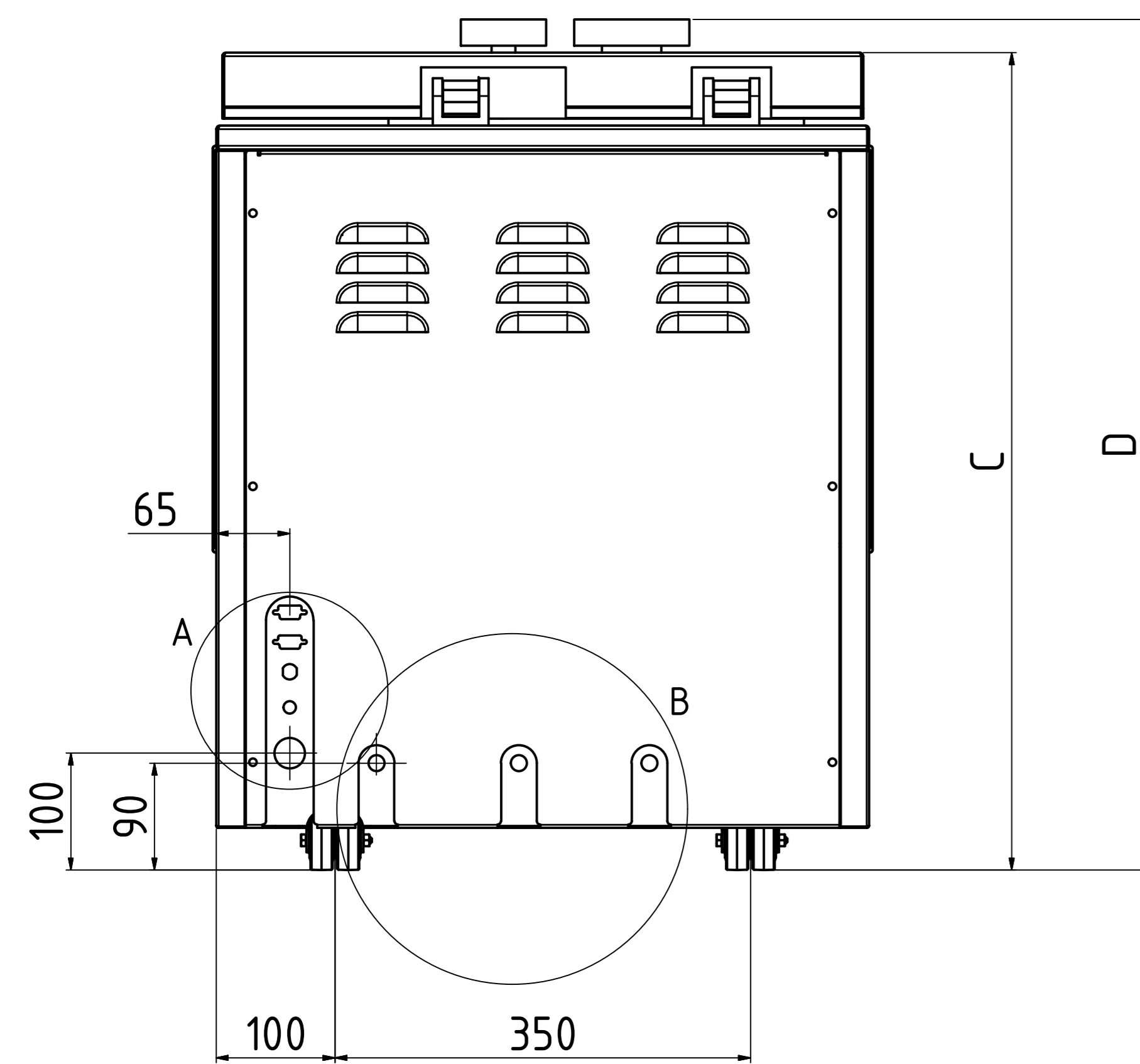
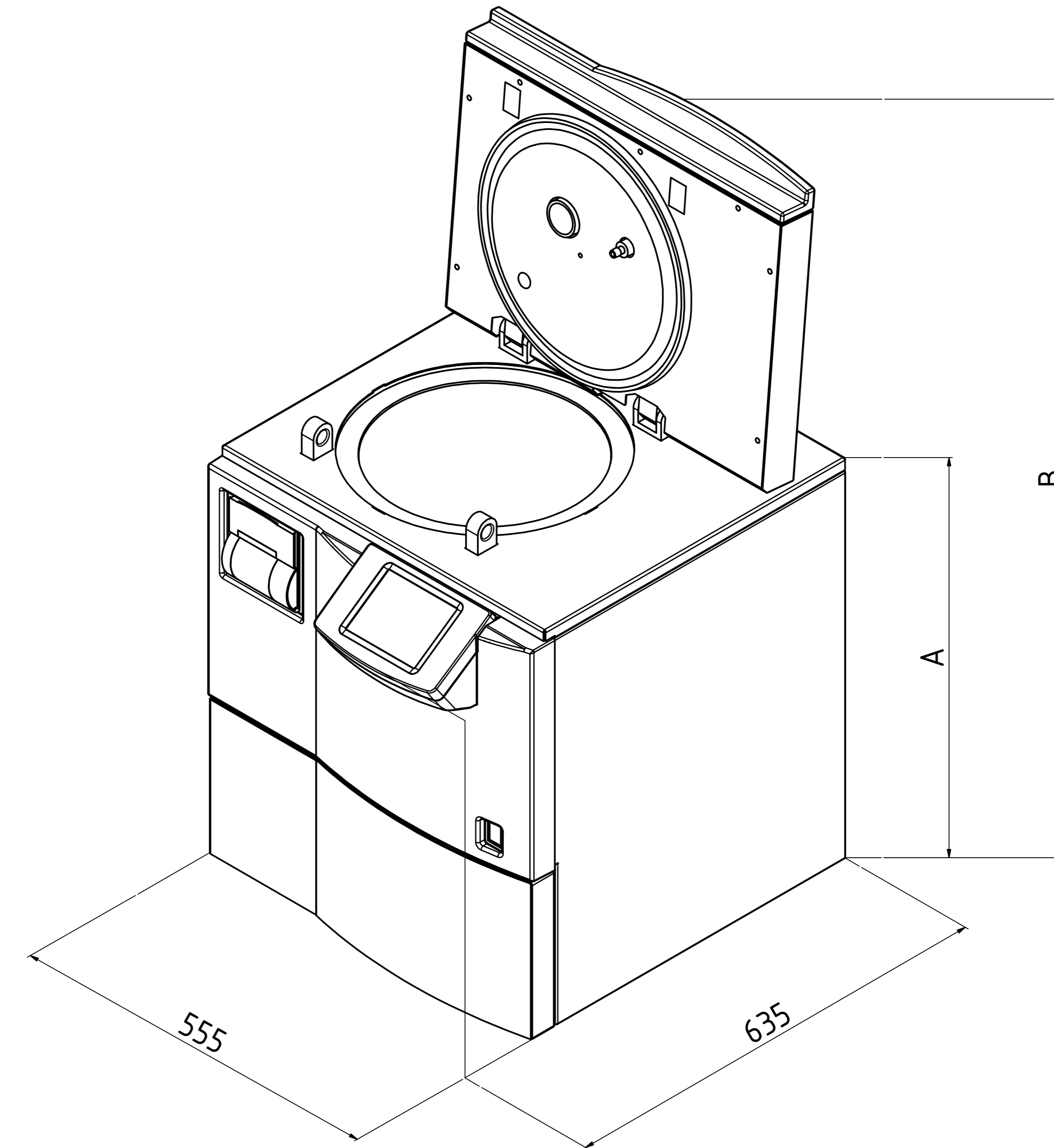
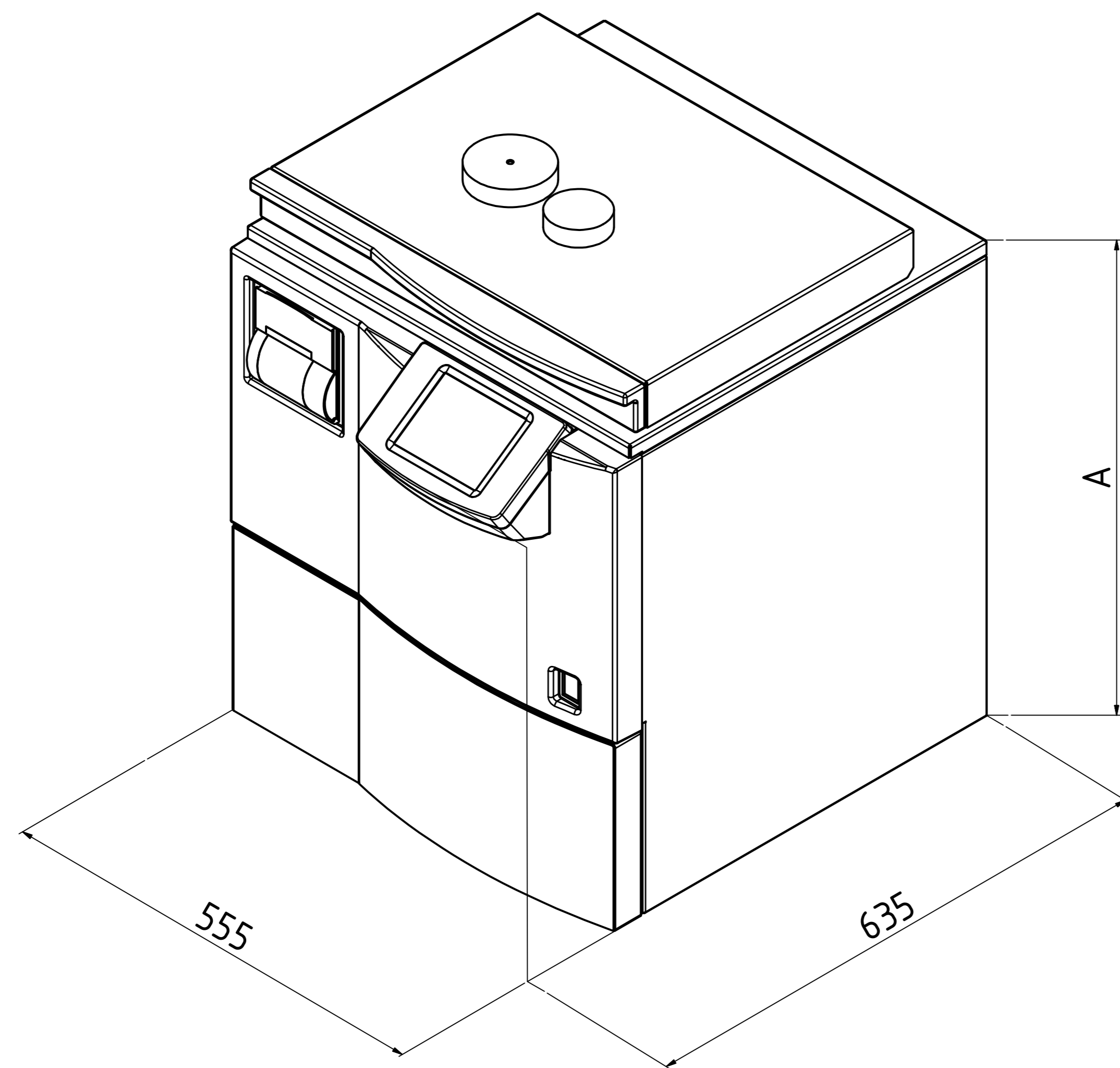


# Systemec Mediaprep-20 / Mediaprep-30



Technical data				
No.	Description	Size	Mediaprep	Comments
1	Interface		X	RS-232 (Ethernet network and USB compatible)
2	Interface		X	RS-485 (Connection with Mediafill)
3	Power supply*		X	3x400V+N+PE / 50/60Hz / 16 Ampere / CEE socket
4	Demineralized water* <sup>3</sup>	Quick-release coupling	X	3/4" external thread on site ≥ 1bar water pressure Σ alkaline earth ions < 0,02 mmol/l, conductivity: 0,1 - 15 µS/cm
5	Drain	Quick-release coupling	X	Temperature-resistant installation (103°C in case of failure) Temperature controlled at 70°C (setable)
6	Tap water* <sup>3</sup>	Quick-release coupling	X	3/4" external thread on site ≥ 1bar water pressure Σ alkaline earth ions ≤ 2,0 mmol/l, conductivity max. 300 µS/cm, 11°dH, 200mg/l CaCO <sub>3</sub>

	Art.No.	A	B	C	D	Heat emission	Net weight	Test weight* <sup>2</sup>
Systemec Mediaprep-20	1720	630	1065	690	715	<500 Watt/h	60 kg	91 kg
Systemec Mediaprep-30	1730	830	1265	890	915	<550 Watt/h	70 kg	112 kg

X = Standard    0 = Optional    -- = Not Available    Length dimensions in mm

\* Other voltages available on request

\*<sup>2</sup> Test weight: chamber completely filled with water for pressure test

\*<sup>3</sup> The included hose is required 3/4" external thread on site

General tolerance ISO 2768 T1-m	Surface	Scale	Material	Weight
ISO 2768 T1-m	15,00,20%	1:1	Systemec Mediaprep-20 / Mediaprep-30	
Systemec We are additive company			Zng.-Nr.: AZ 1720 EN	Rev.: 2 / 1 A0