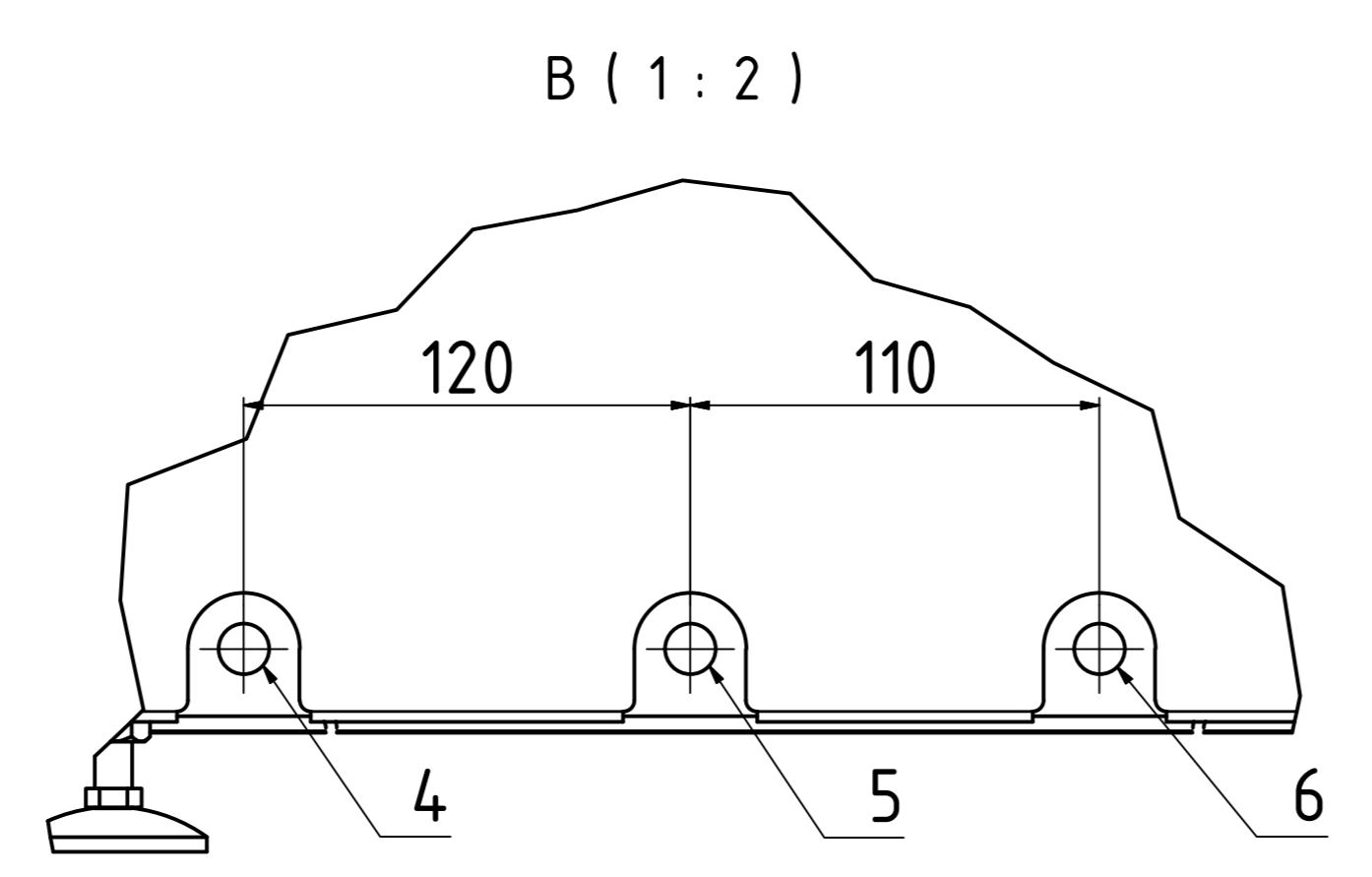
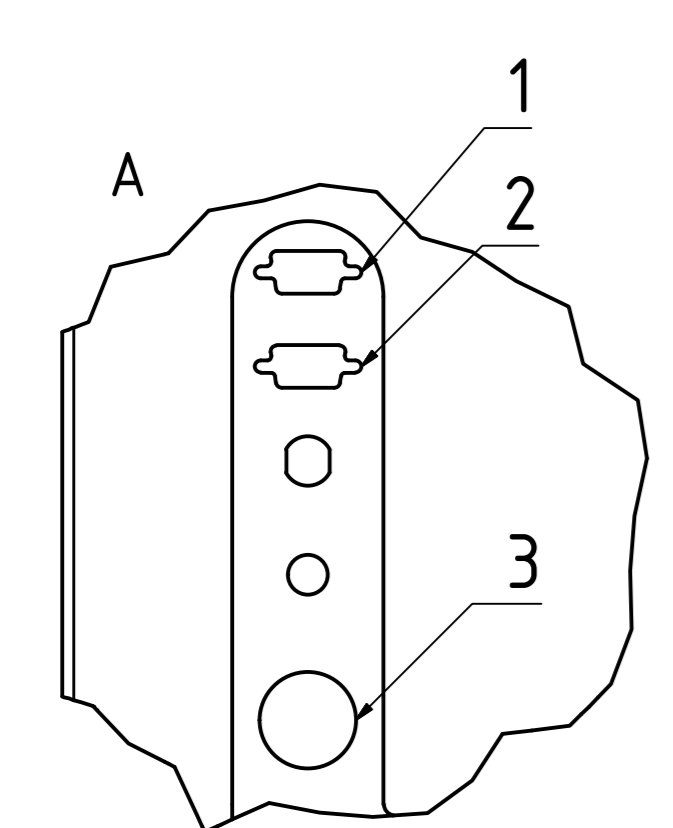
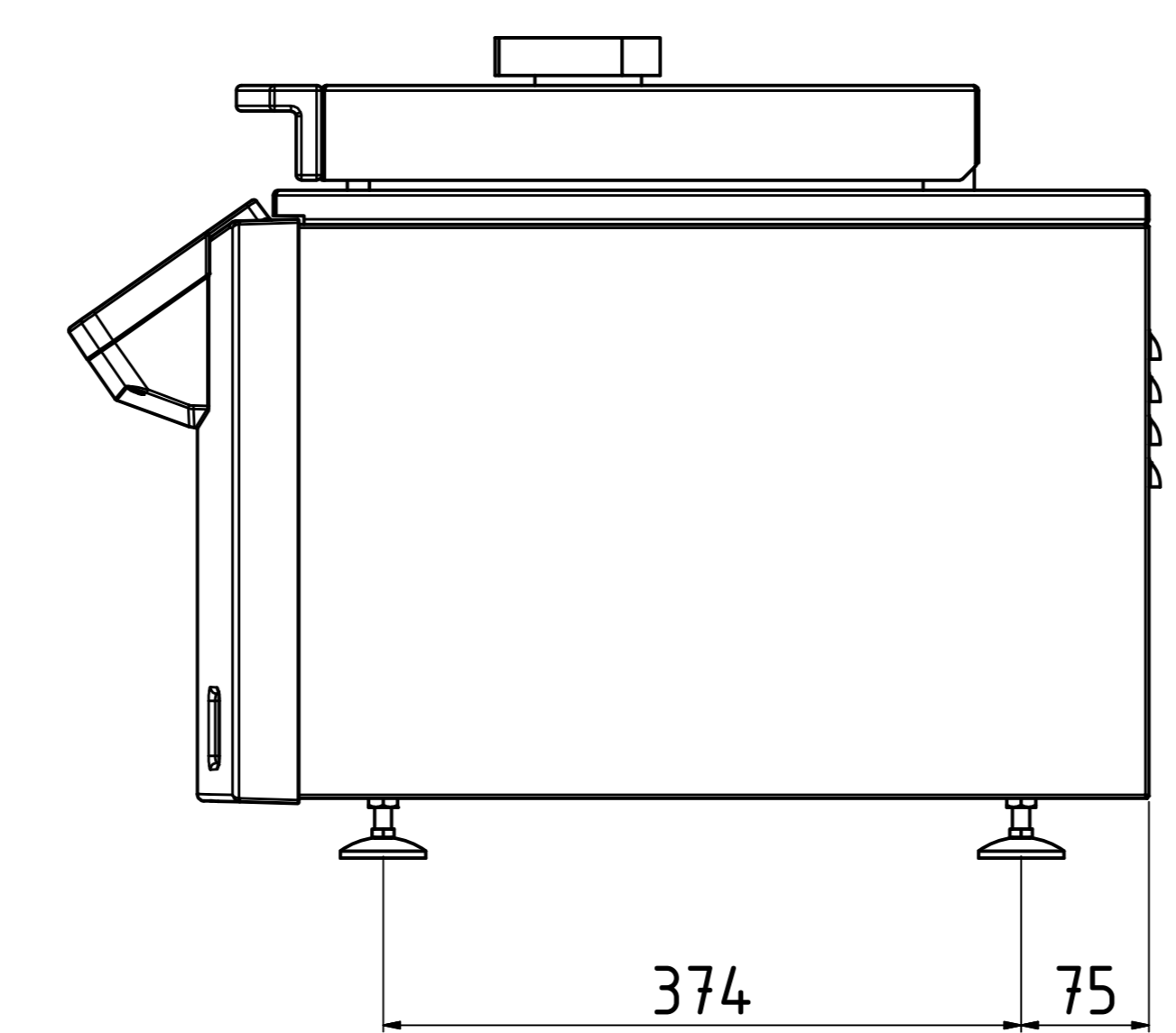
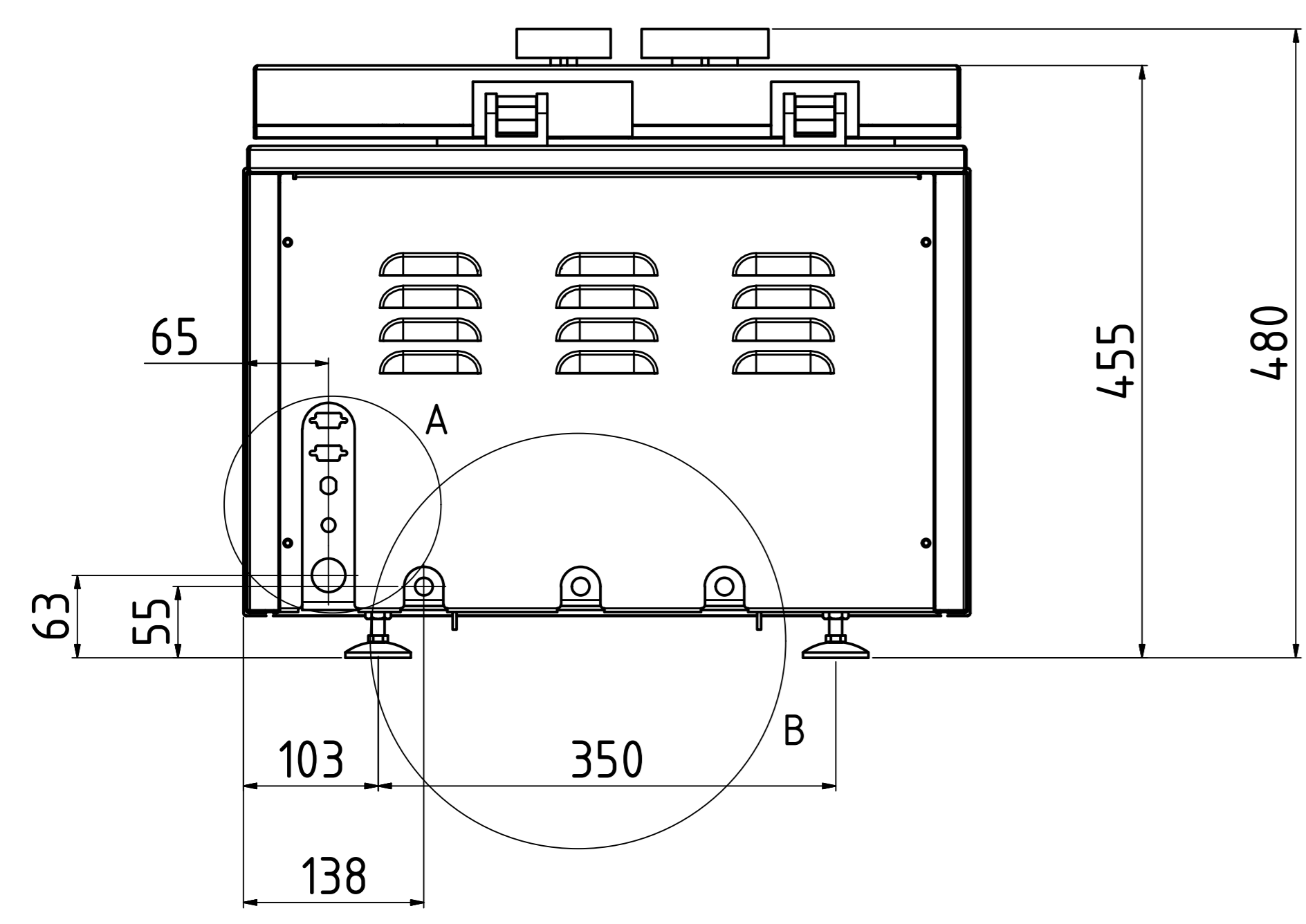
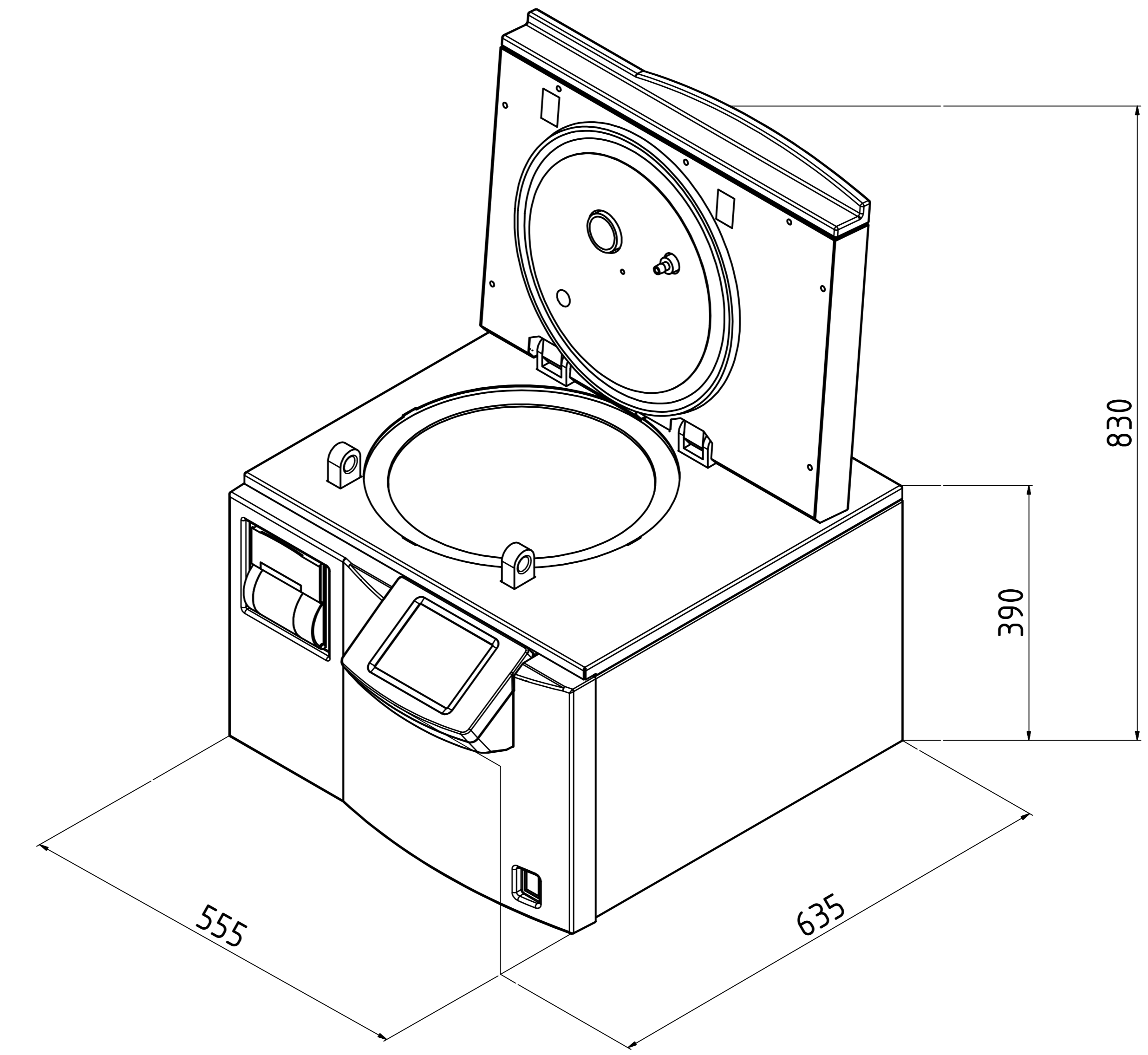
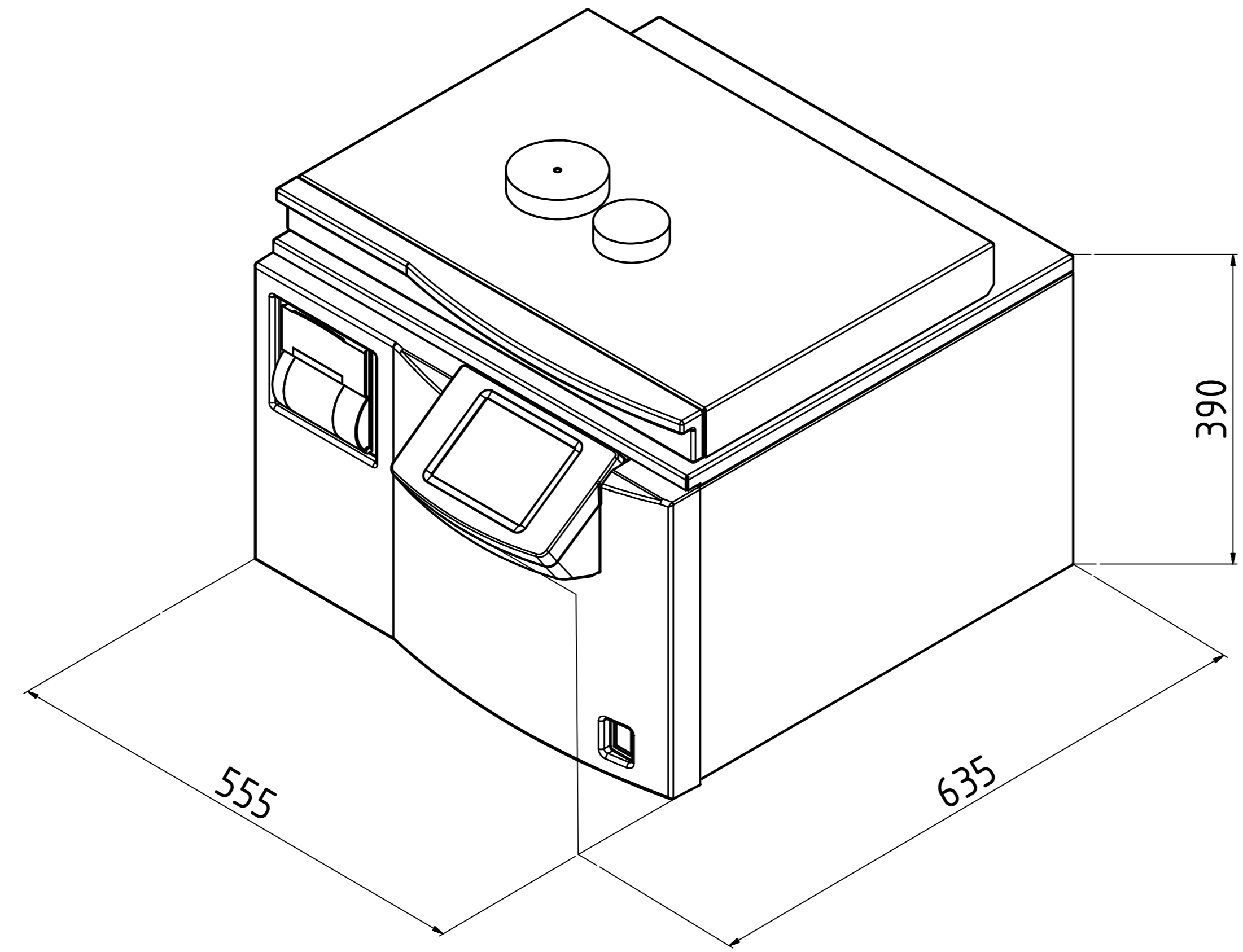


# Systemec Mediaprep-10



Technical data				
No.	Description	Size	Mediaprep	Comments
1	Interface		X	RS-232 (Ethernet network and USB compatible)
2	Interface		X	RS-485 (Connection with Mediafill)
3	Power supply*		X	1x230V+N+PE / 50/60Hz / 16 Ampere / CEE 7/4 socket, Type F
4	Demineralized water* <sup>3</sup>	Quick-release coupling	X	3/4" external thread on site ≥ 1bar water pressure Σ alkaline earth ions < 0,02 mmol/l, conductivity: 0,1 - 15 µS/cm
5	Drain	Quick-release coupling	X	Temperature-resistant installation (103°C in case of failure) Temperature controlled at 70°C (setable)
6	Tap water* <sup>3</sup>	Quick-release coupling	X	3/4" external thread on site ≥ 1bar water pressure Σ alkaline earth ions ≤ 2,0 mmol/l, conductivity max. 300 µS/cm, 11°dH, 200mg/l CaCO <sub>3</sub>

	Art.No.	Heat emission	Net weight	Test weight* <sup>2</sup>
Systemec Mediaprep-10	1710	<400 Watt/h	50 kg	67,5 kg

X = Standard    0 = Optional    -- = Not Available    Length dimensions in mm

- \* Other voltages available on request
- \*<sup>2</sup> Test weight: chamber completely filled with water for pressure test
- \*<sup>3</sup> The included hose is required 3/4 "external thread on site

Allgemein- toleranz ISO 2768 T1-m		Oberfläche	Masstab:	Gewicht:
Datum		Werkstoff:	Bemerkung:	
15.05.2015		Systemec Mediaprep-10		
Zng.-Nr.: AZ 1710 EN		Rev.: 1	1	
Systemec		A0		